

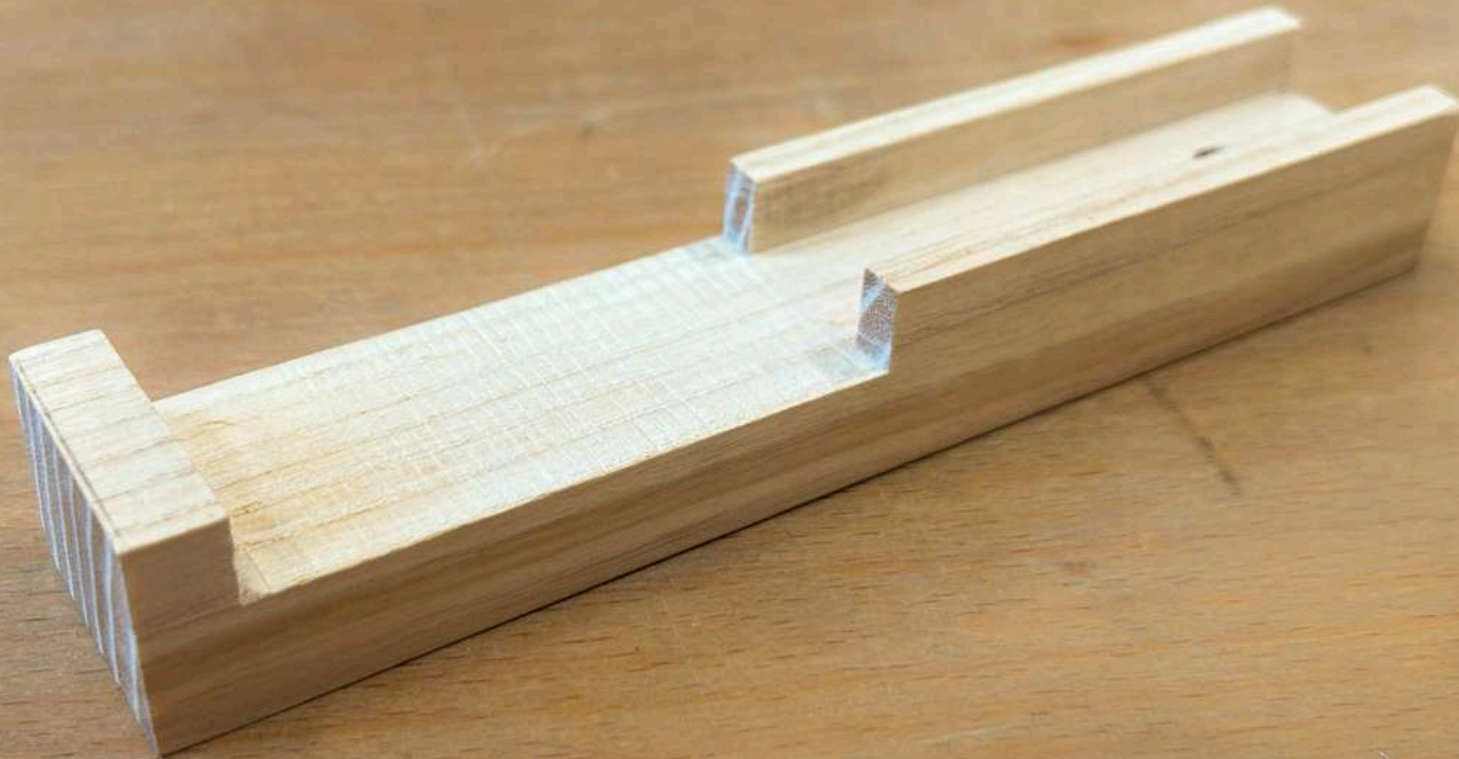
KERF MAKER FAI DA TE

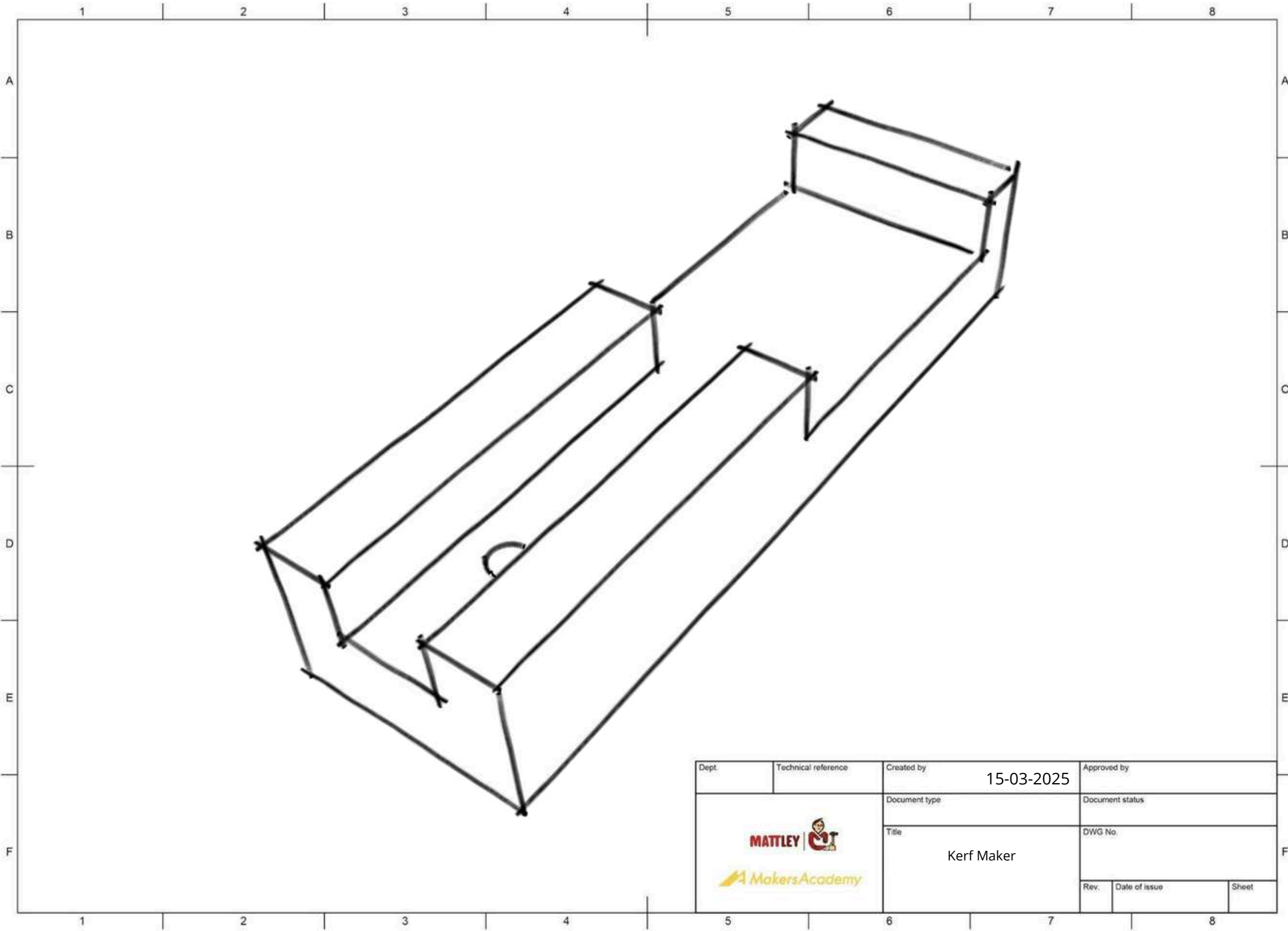
In questo PDF trovi tutte le informazioni e le misure per realizzare la base in legno del tuo kerf maker fai da te.



Foto dei dettagli, misure, pianta e prospetto del jig.

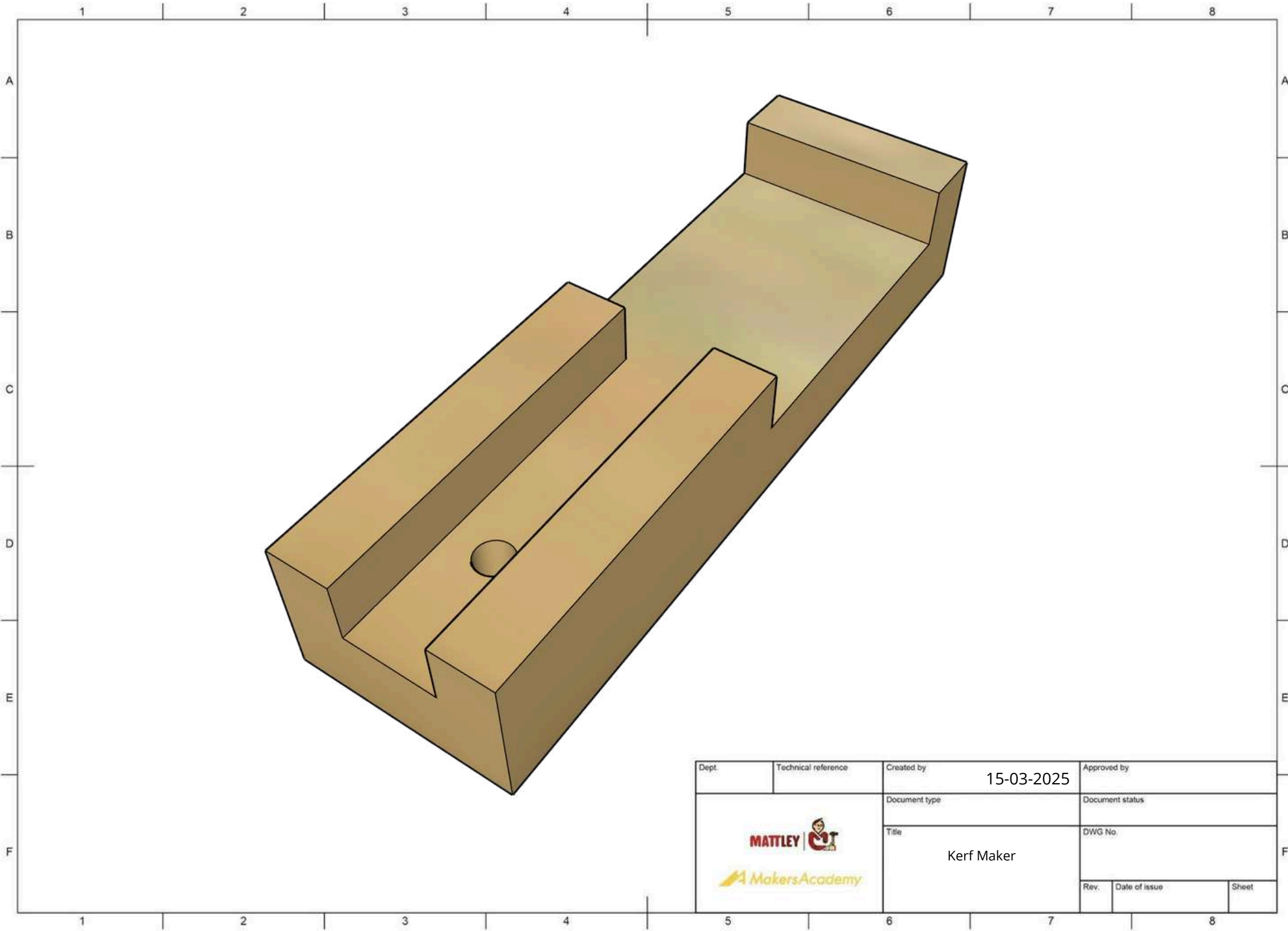
Consigli indispensabili per fare sempre un ottimo lavoro e non sbagliare riparmando tempo e denaro.



KERF MAKER FAI DA TE

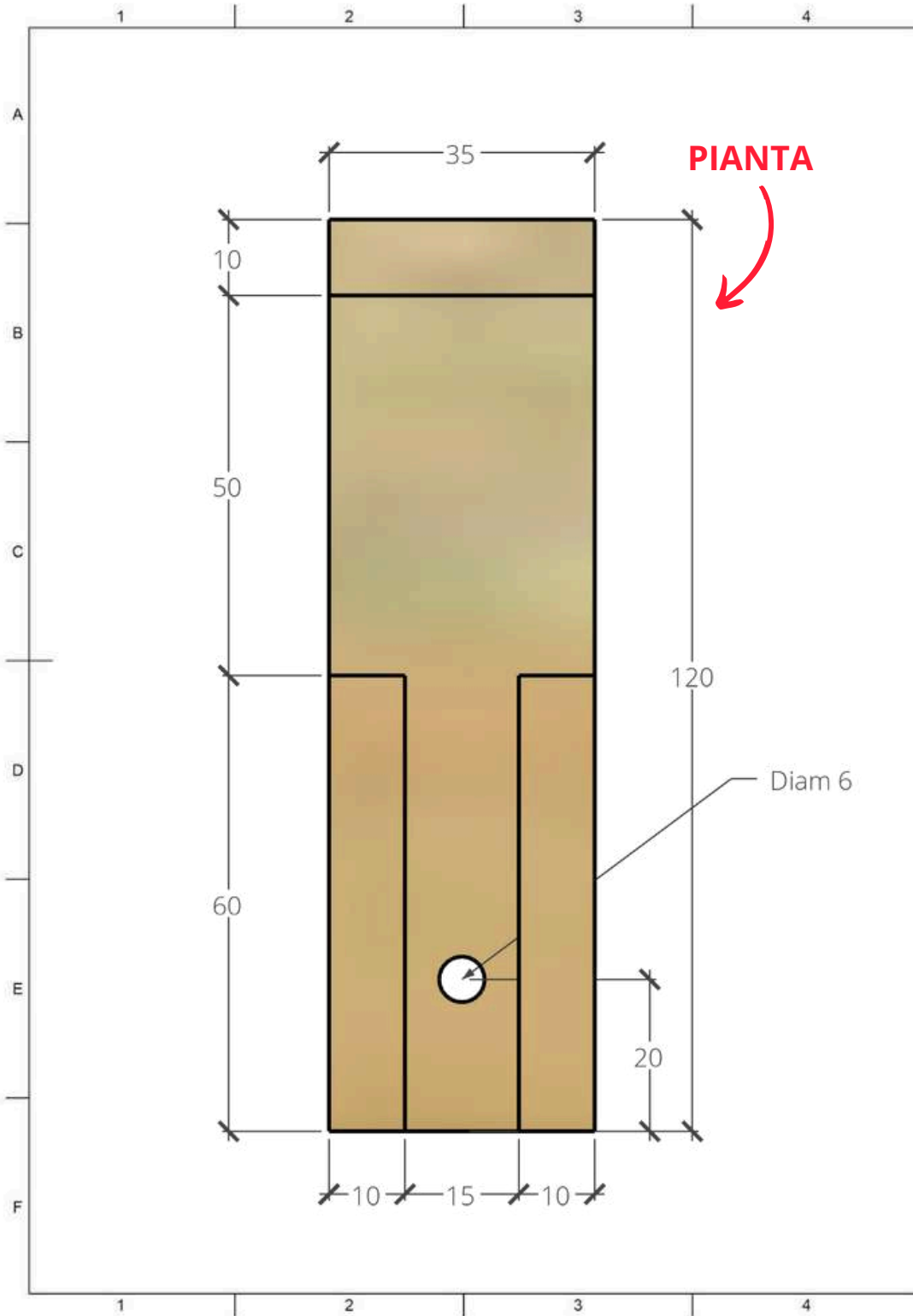






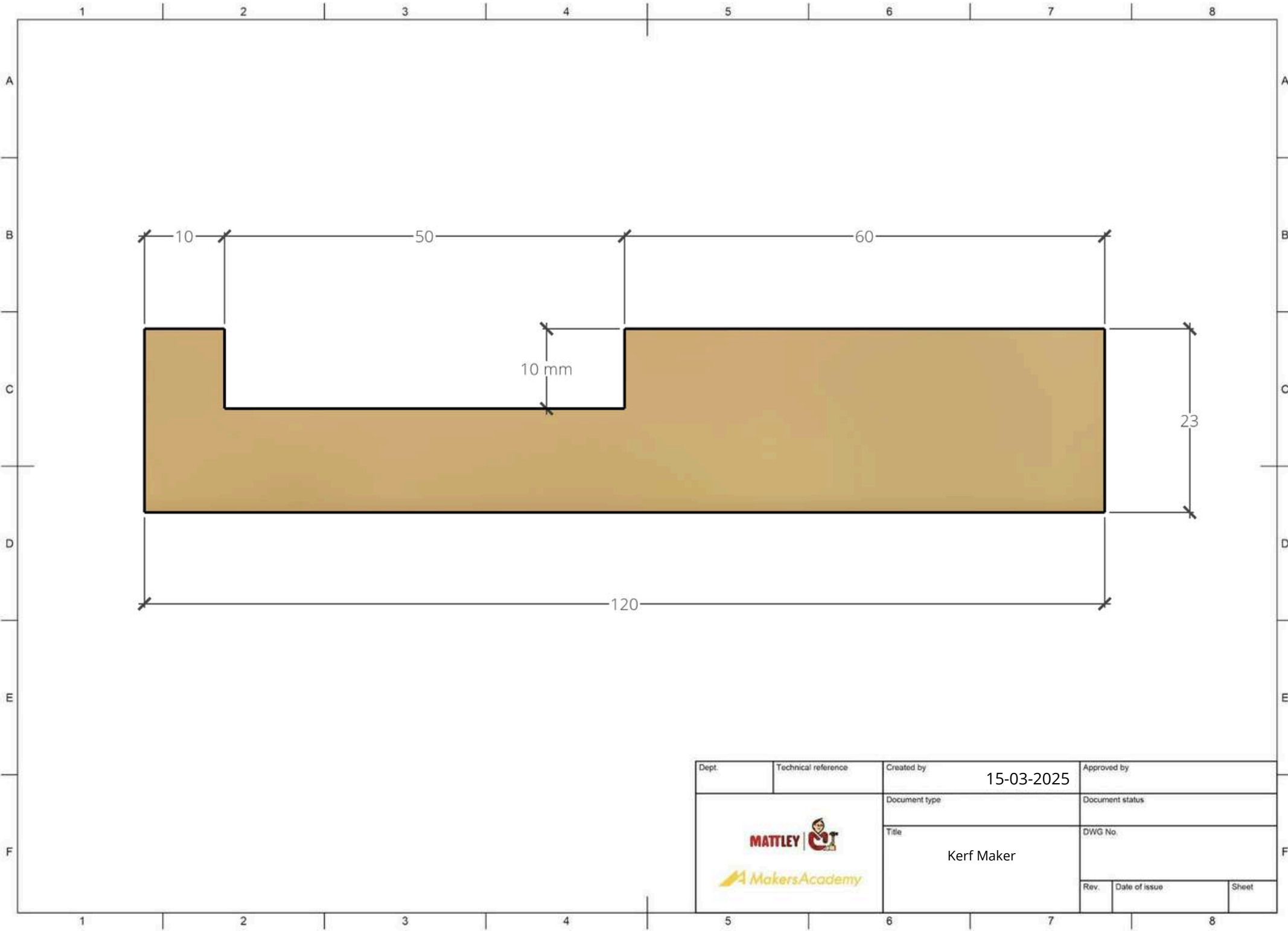
Dept.	Technical reference	Created by	15-03-2025	Approved by
 		Document type	Document status	
		Title	Kerf Maker	
Rev.	Date of issue	Sheet		





Dept.	Technical reference	Created by	15-03-2025	Approved by
 		Document type	Document status	
		Title	Kerf Maker	
		Rev.	Date of issue	Sheet



Dept.	Technical reference	Created by	15-03-2025	Approved by
 		Document type	Document status	
		Title	Kerf Maker	
Rev.	Date of issue	Sheet		



Dept.	Technical reference	Created by	15-03-2025	Approved by
 		Document type	Document status	
		Title	DWG No.	
		Kerf Maker		
Rev.	Date of issue	Sheet		