

Build Your Own Solar Power System For Less



Hannah & Henry
The Handy Duo



Table of Contents

Introduction: DIY Complete Step-By-Step Guide	03
Chapter I: Analyze Load & Estimate Daily Usage	04
Chapter II: Calculate Battery Bank Capacity	09
Chapter III: Calculate Solar Array Wattage	17
Chapter IV: Specify A Charge Controller	22
Chapter V: Size & Specify An Off-Grid Inverter	30
Conclusion	36

INTRODUCTION

DIY Complete Step-By-Step Guide

What is simple living?

The price of the solar panels is getting cheaper, day by day. The manufacturers are trying to make it more affordable, anyone can buy them and install a system for their home.

The installation of a complete off grid solar system is still costly, because hiring laborers almost never go down in price. I write this complete guide to help you design & build off grid solar power system all by yourself.

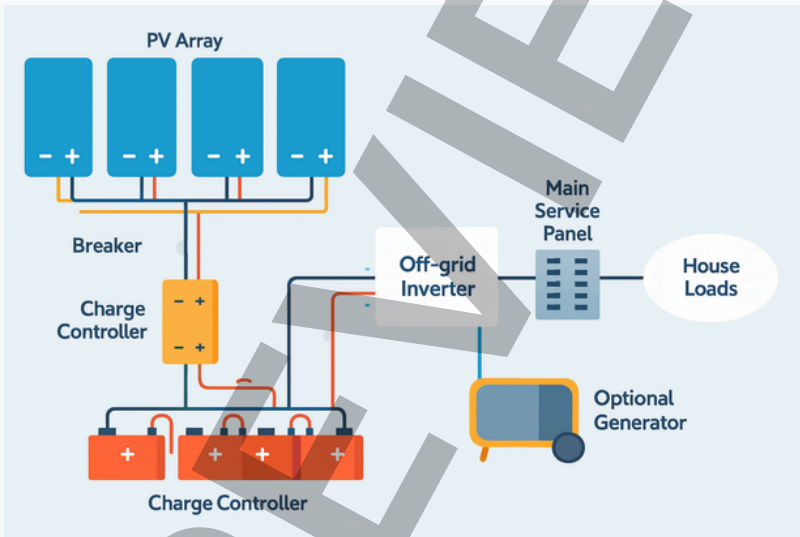
If you decided to build a solar panels system for home to cover your electricity bill, this tutorial is for you:

Learn How To Save
On Energy Costs



CHAPTER 1

Analyze Load & Estimate Daily Usage



You'll notice there is a generator in the drawing. That is there for instances when there is not enough sun to provide the power needed, generally Winter, and if you have an occasional load that requires more power than your system can provide.

For instance, if you needed to use a welder for a project, it may not make sense to design the whole system to be able to accommodate a tool that is used once a year. Having a generator available for occasional use makes good sense. Keep this option in mind when designing your system.